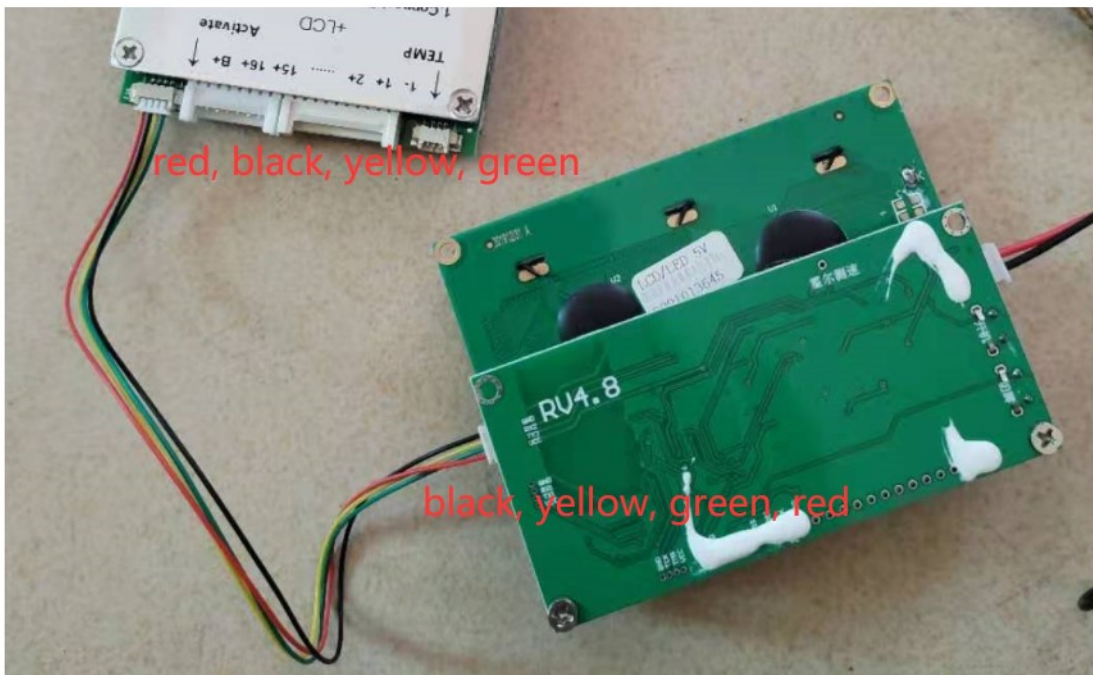
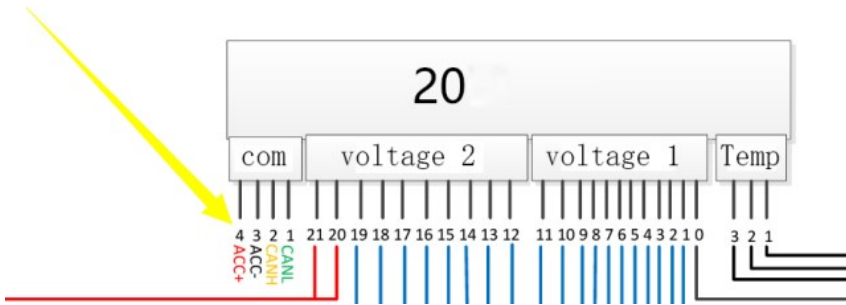
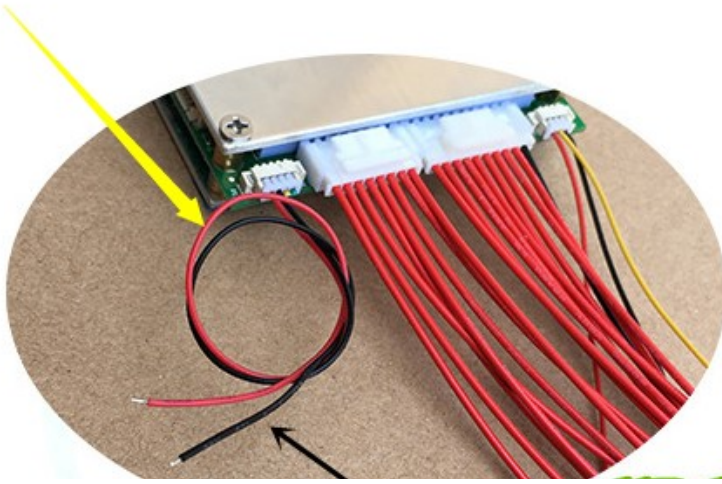


LCD communication wiring

BMS side: red, black, yellow, green.
 LCD side: black, yellow, green, red.





CAN	name	description
1	CAN_L	CAN bus low signal
2	CAN_H	CAN bus high signal
3	ACC-	Active signal negative
4	ACC+	Active signal positive

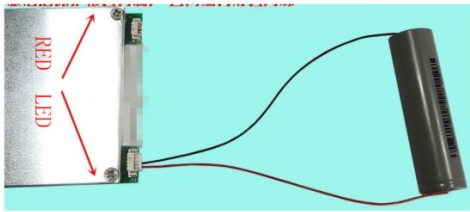
RS485	name	description
1	485B	RS485_B signal
2	485A	RS485_A signal
3	ACC-	Active signal negative
4	ACC+	Active signal positive

UART	name	description
1	RXD	RXD signal for UART
2	TXD	TXD signal for UART
3	GND	GND signal for UART
4	VCC	VCC signal for UART

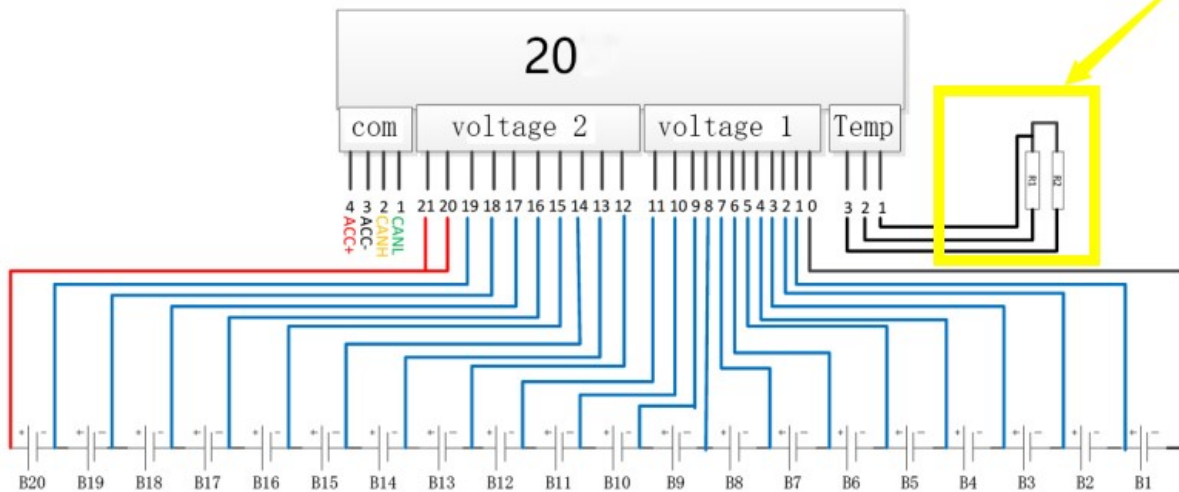
Note: LCD and CAN share the same port, it's decide by the software, if configure to LCD, press the key in LCD also can active the BMS.

This BMS have two method to active(power on)

1. Use charger to charge the BMS, can active the BMS.
2. Use the active signal. Add 3V to 5V voltage in ACC signal. Then can power on the BMS. Suggestion use the voltage of one cell. After the BMS active, you will hear the “beep”, also find the red led is turn on. (add voltage, just 2 seconds then can active, then can disconnect the active voltage)



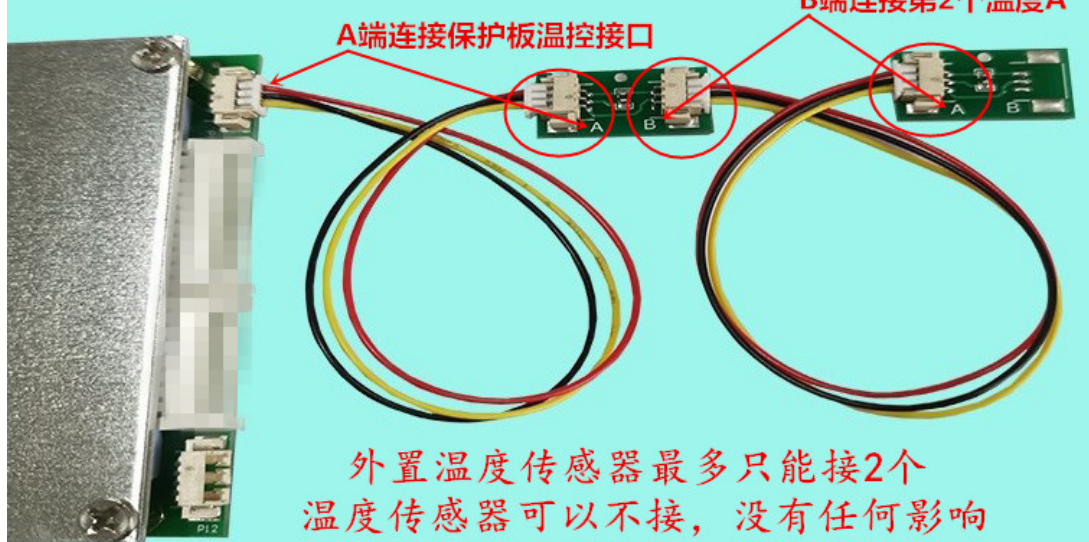
use 3V to 5V, just 2 seconds, then can active BMS, then can disconnect the active voltage



There have two temperature sensor.

	name	description
1	GND	The GND of NTC
2	T1	The positive of T1
3	T2	The positive of T2

外置温度传感器接线说明:

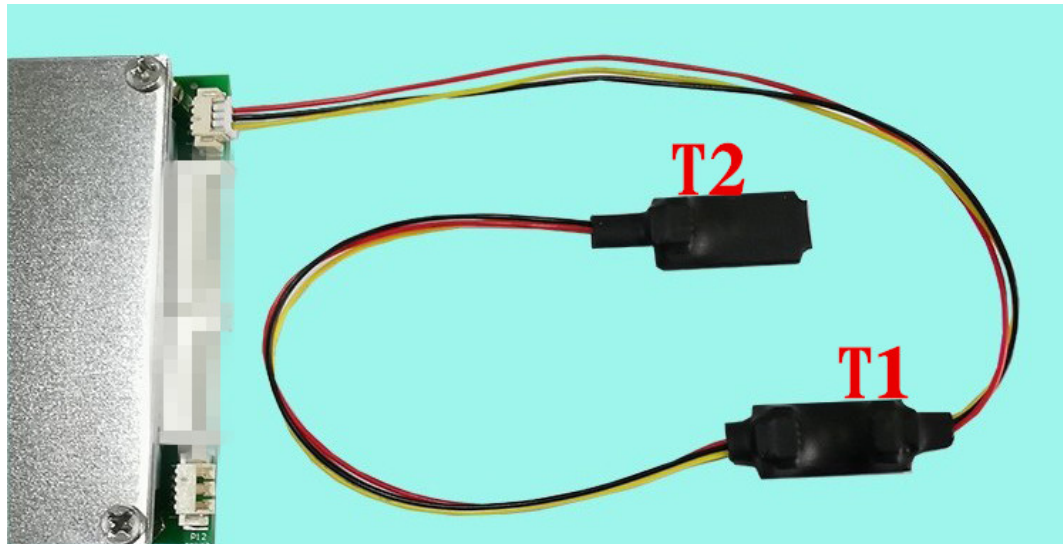


外置温度传感器最多只能接2个
温度传感器可以不接，没有任何影响
第一个是温控T1，第2个是T2
没有接温度传感器连接蓝牙显示为-30度

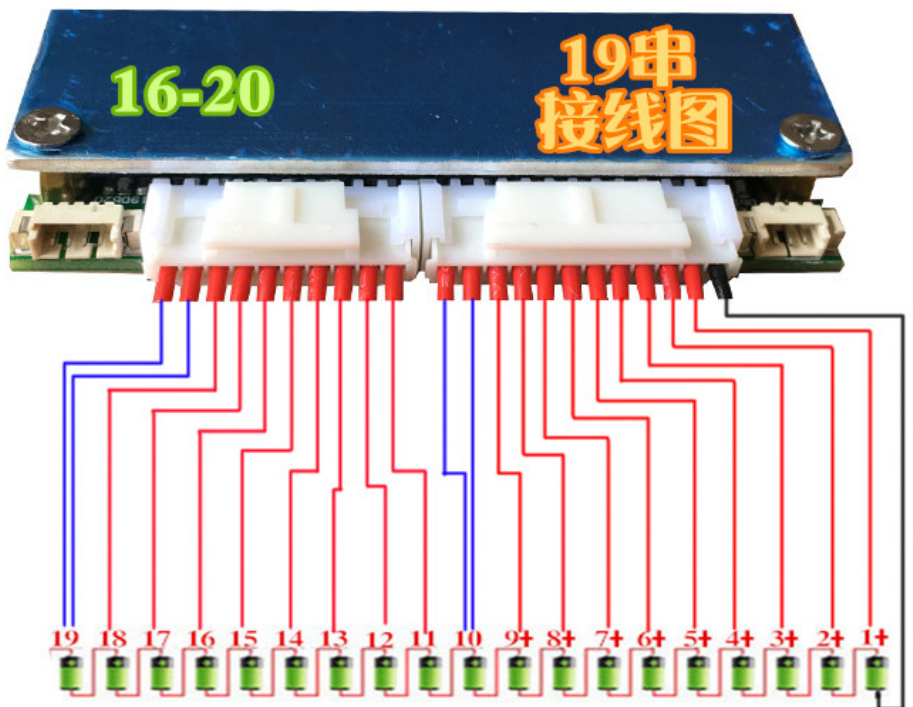
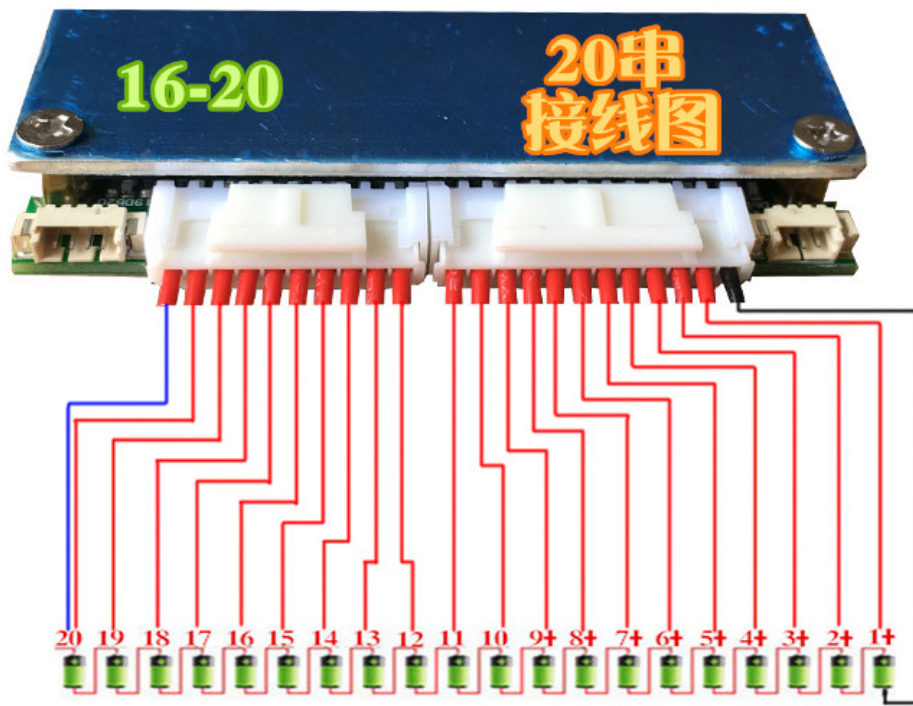
Up to 2 external temperature sensors can be connected,
The temperature sensor can also be disconnected. If the temperature sensor is not connected, the software displays **-30 degrees** by default.

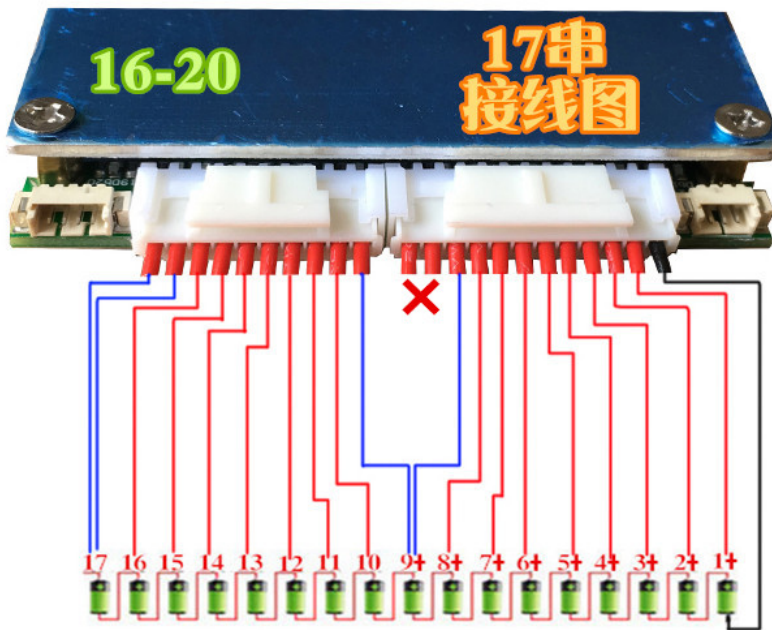
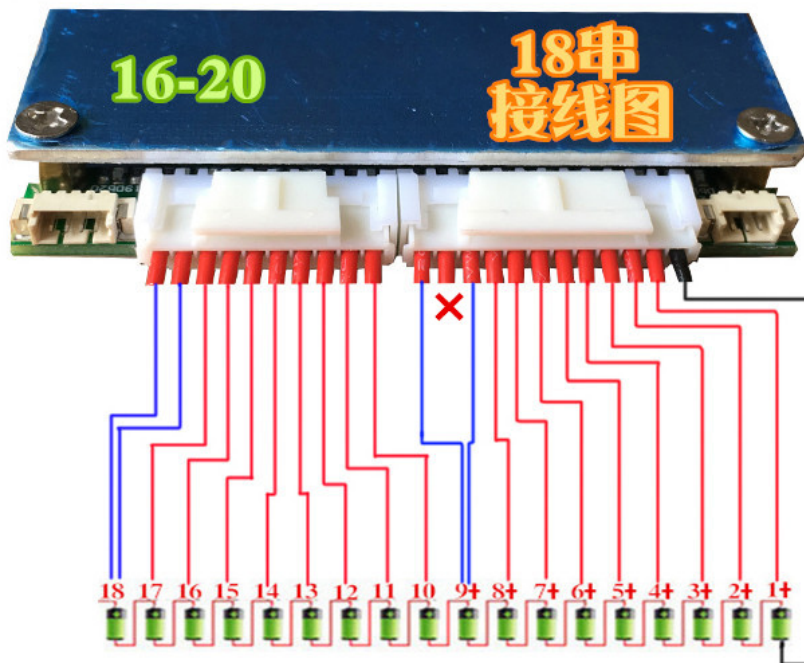
After the temperature sensor is connected, use a heat-shrinkable tube to set up the insulation (as shown below), and the back is fixed with double-sided tape.

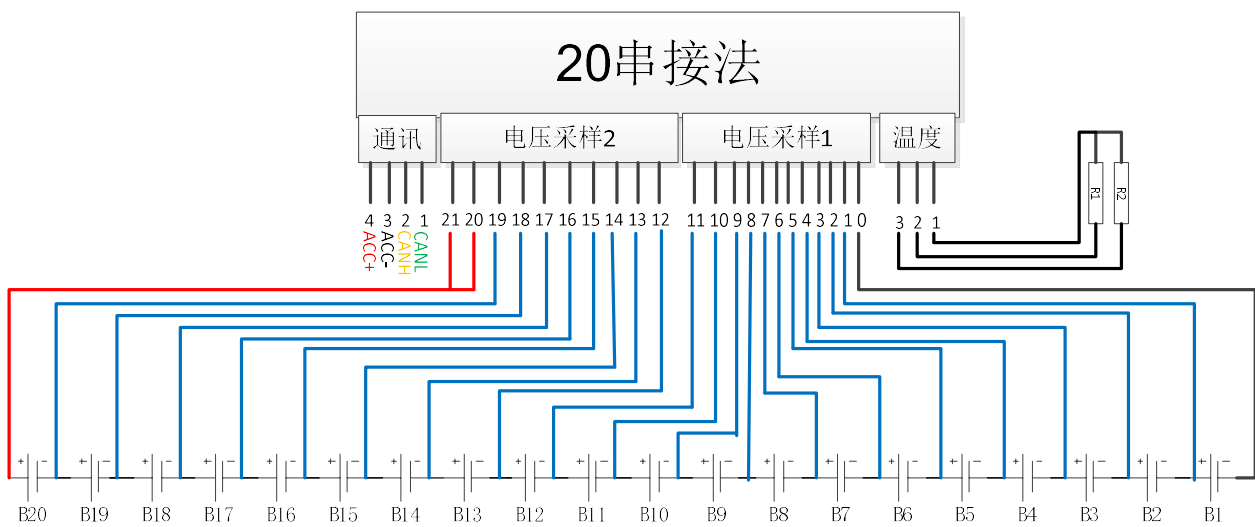
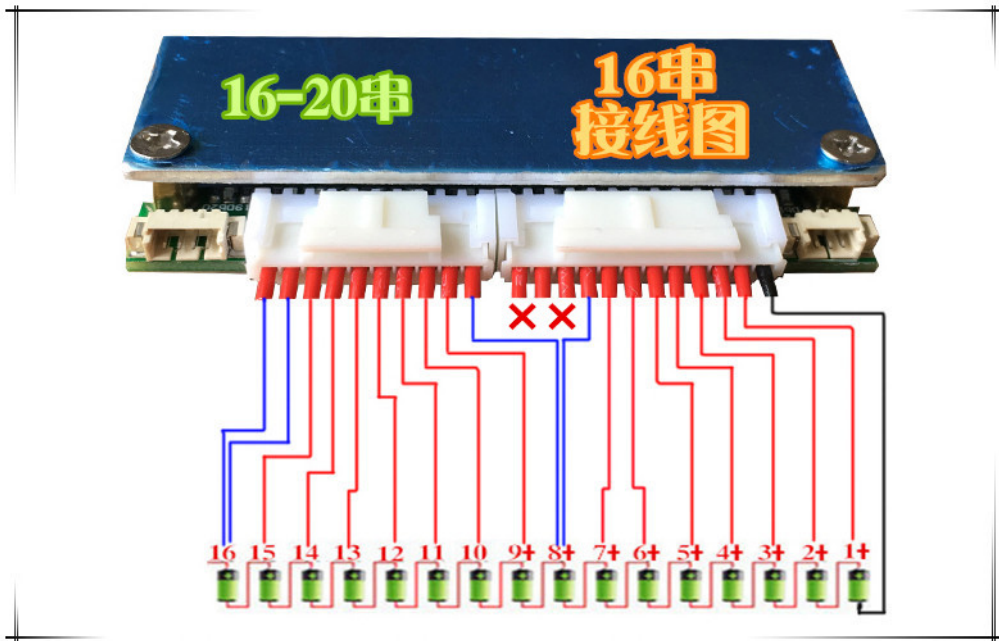
T1 and T2 are placed in different locations of the battery pack to detect the temperature.



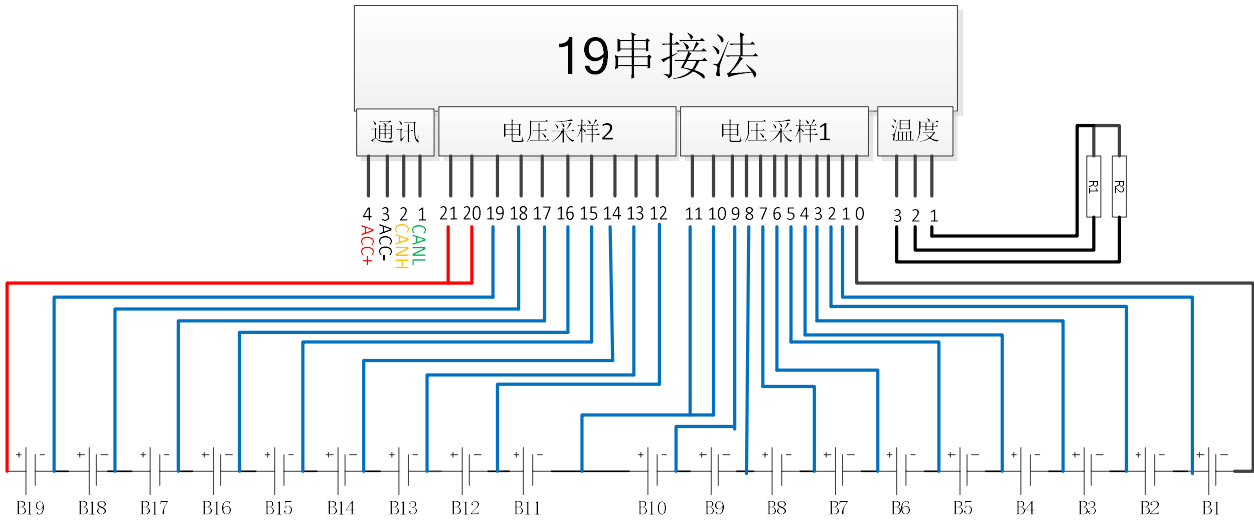
温度传感器器接好后用热缩套起来做好绝缘（如图）
背面用双面胶固定
T1和T2分别放在电池组两个不同位置检测温度



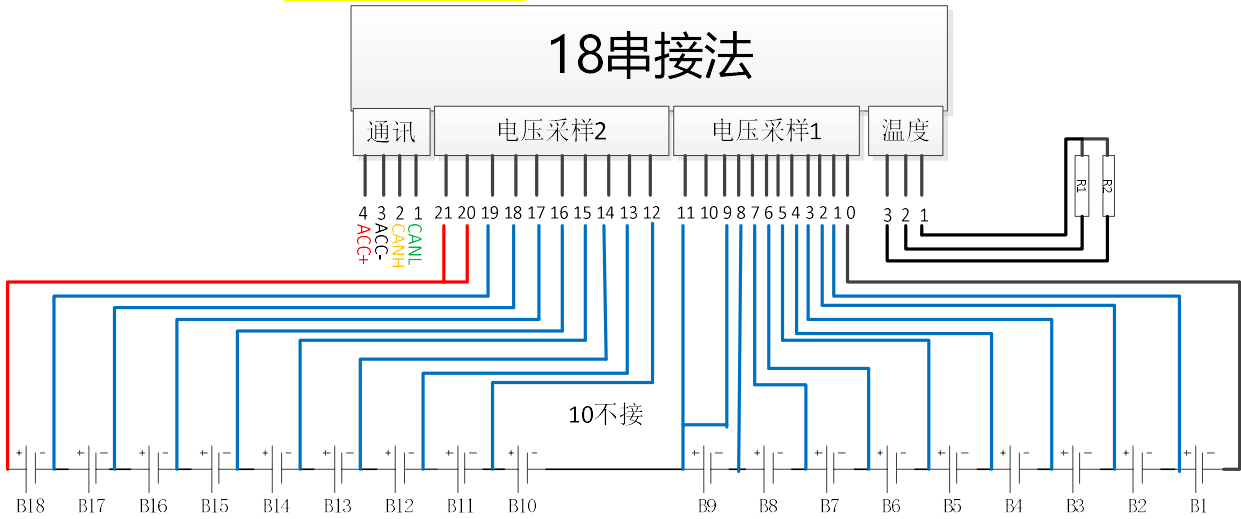




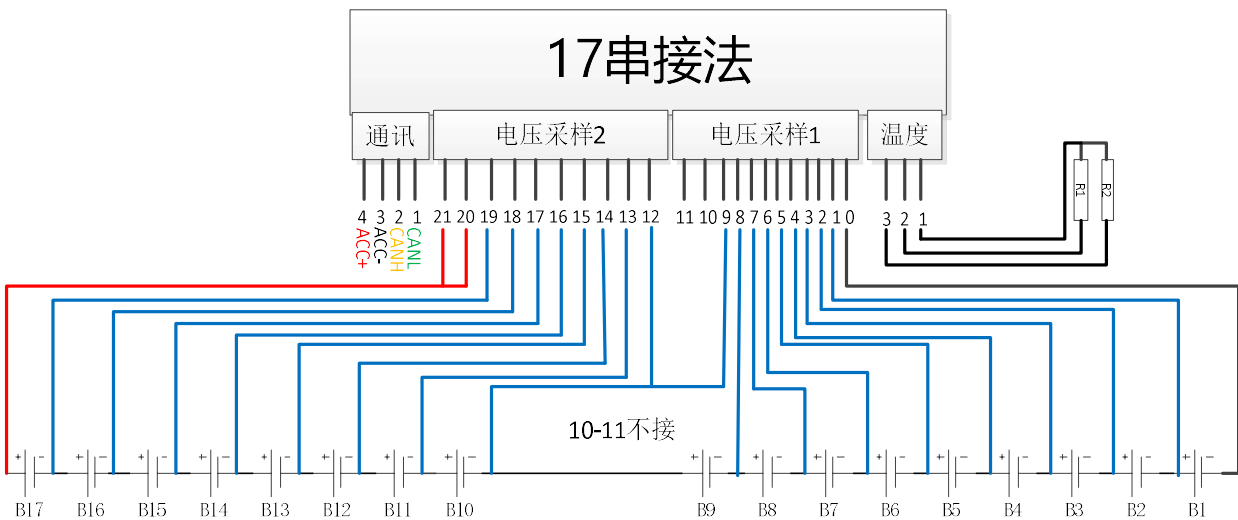
19S wiring diagram: short 10 and 11



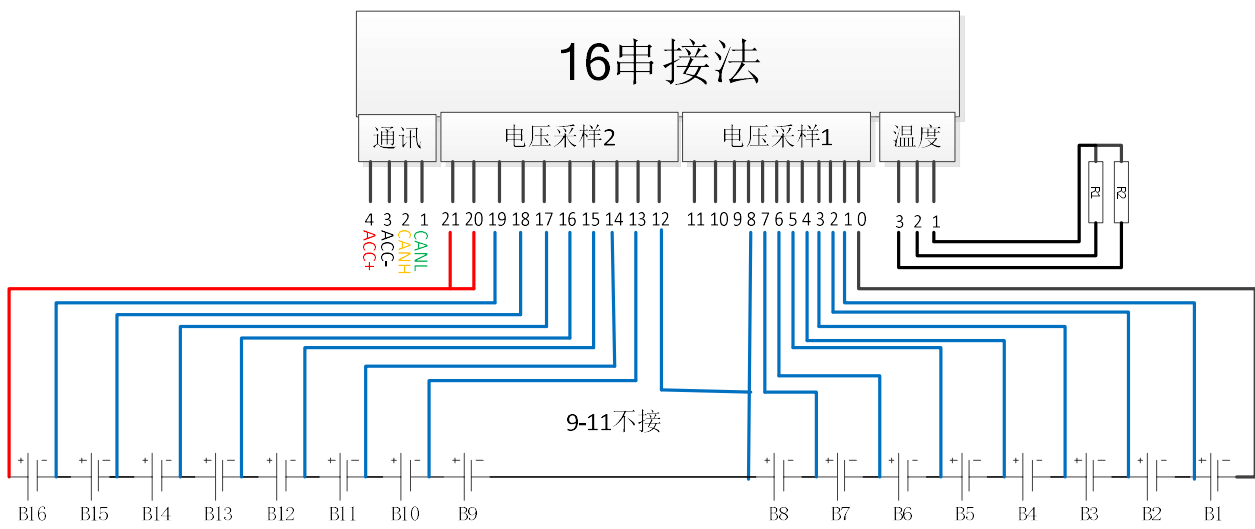
18S wiring diagram: do not use 10.



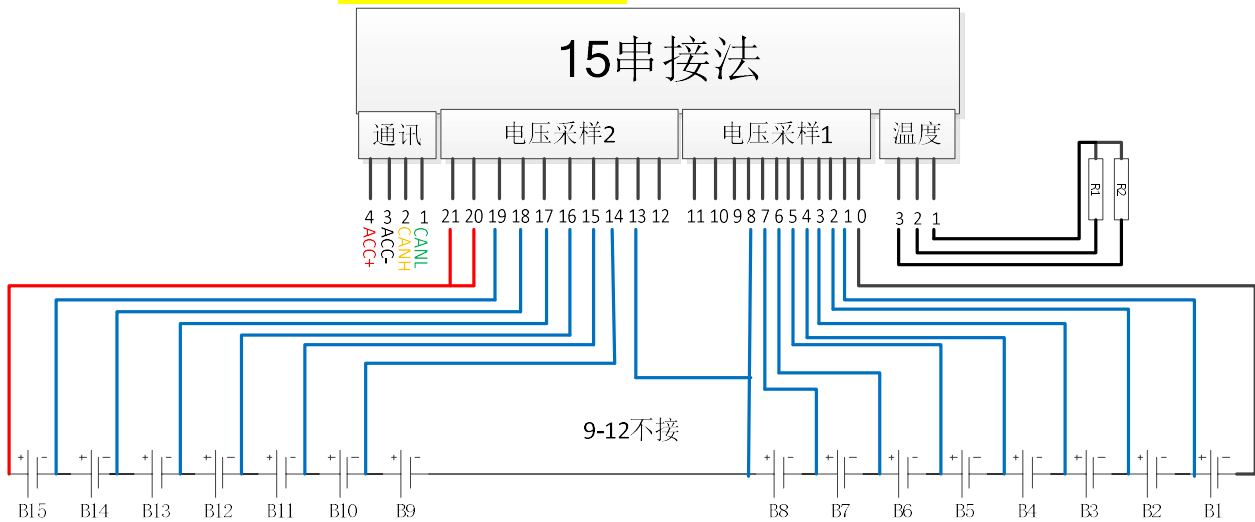
17S wiring diagram: do not use 10 to 11.



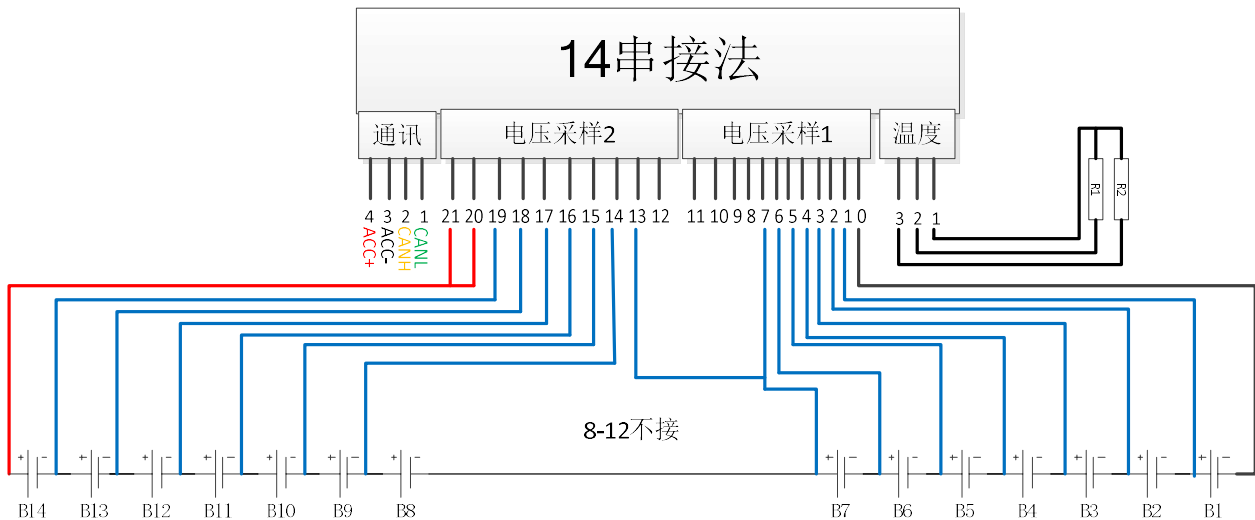
16S wiring diagram: do not use 9 to 11.



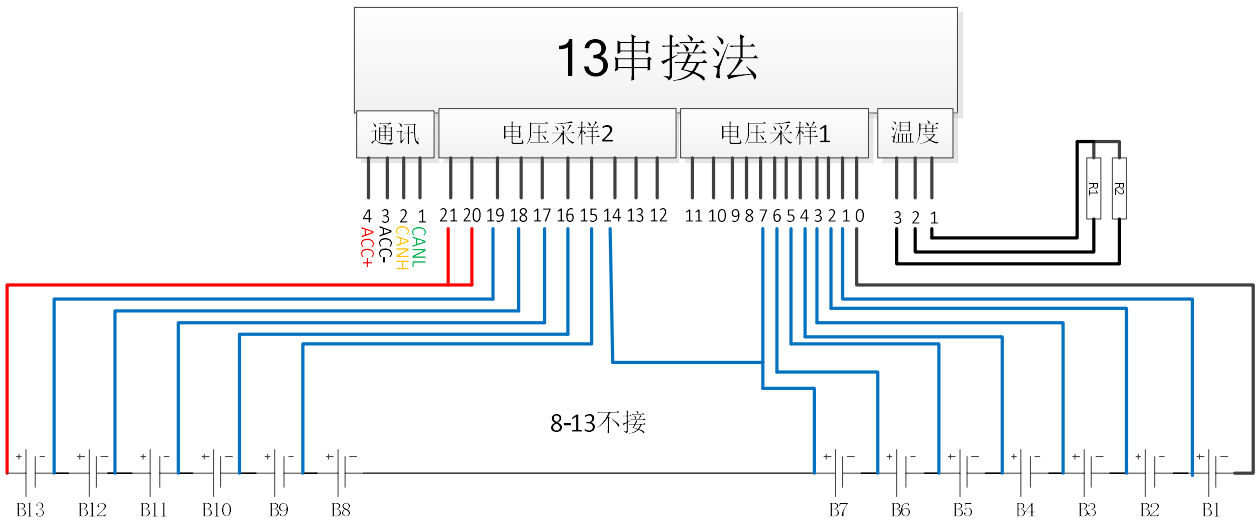
15S wiring diagram: do not use 9 to 12.



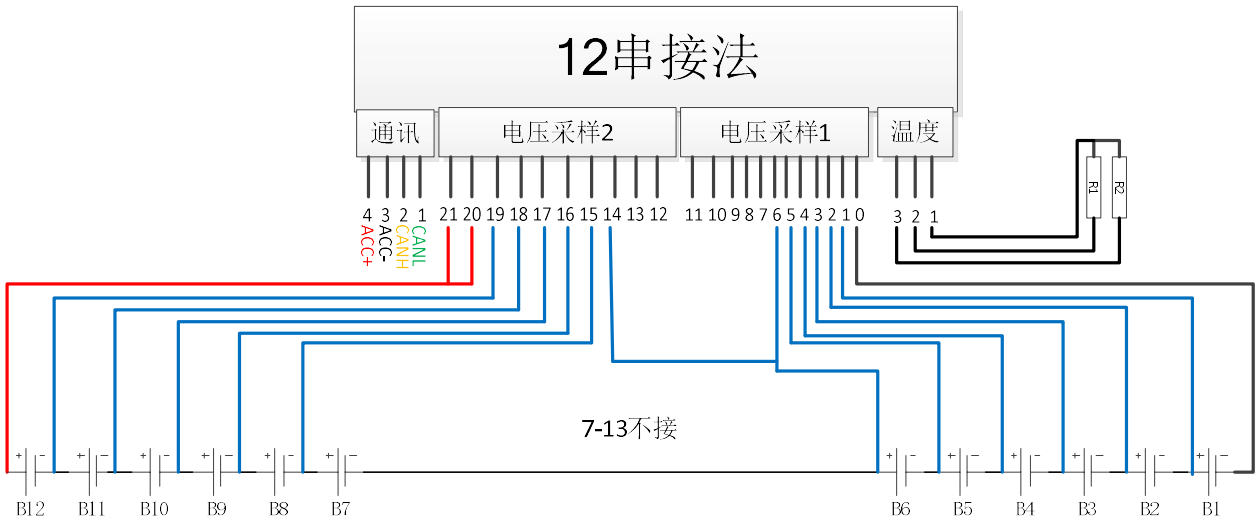
14S wiring diagram: do not use 8 to 12.



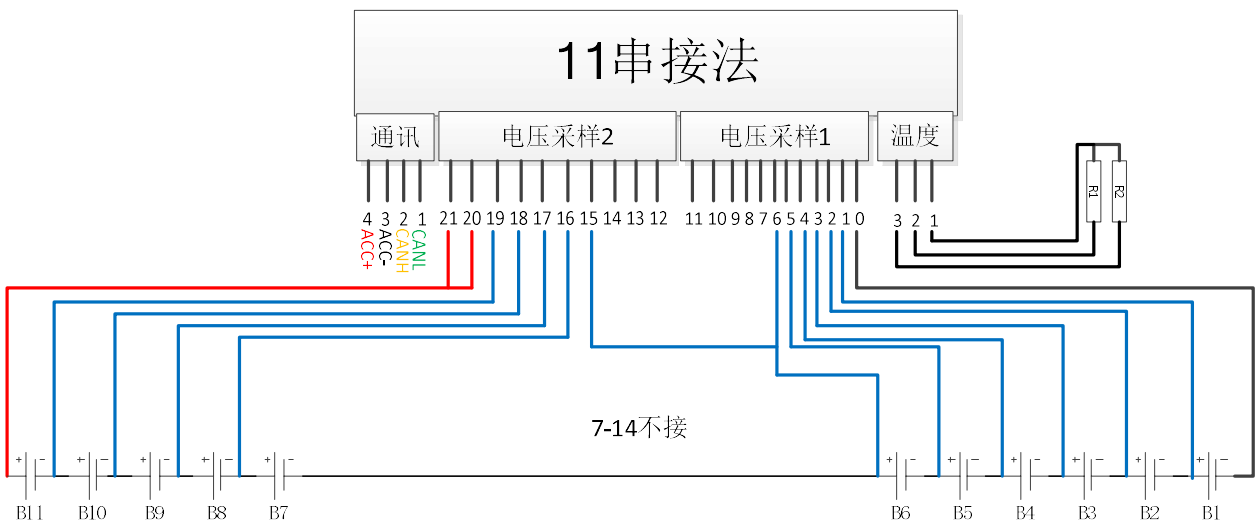
13S wiring diagram: do not use 8 to 13.



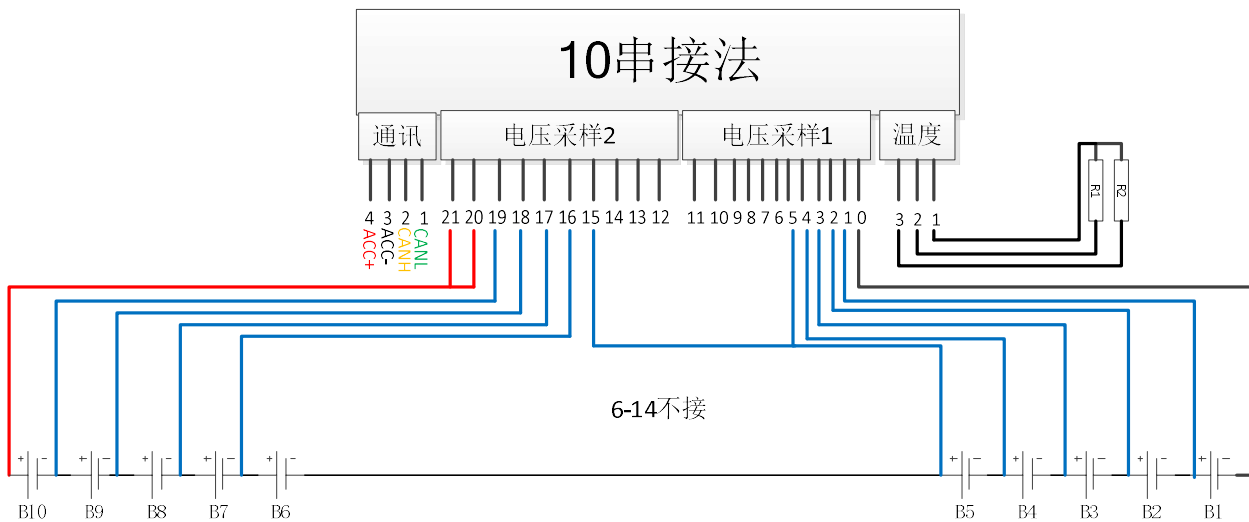
12S wiring diagram: do not use 7 to 13.



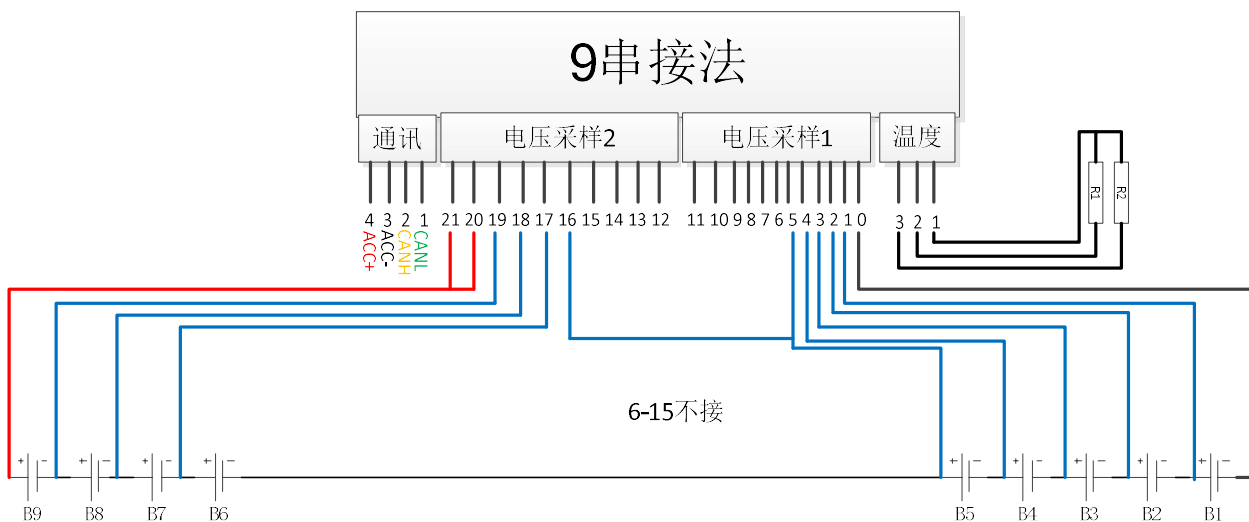
11S wiring diagram: do not use 7 to 14.



10S wiring diagram: do not use 6 to 14.



9S wiring diagram: do not use 6 to 15.



8S wiring diagram: do not use 5 to 15.

